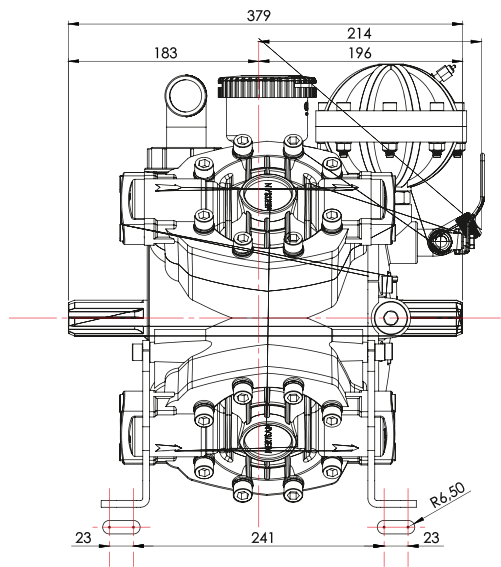
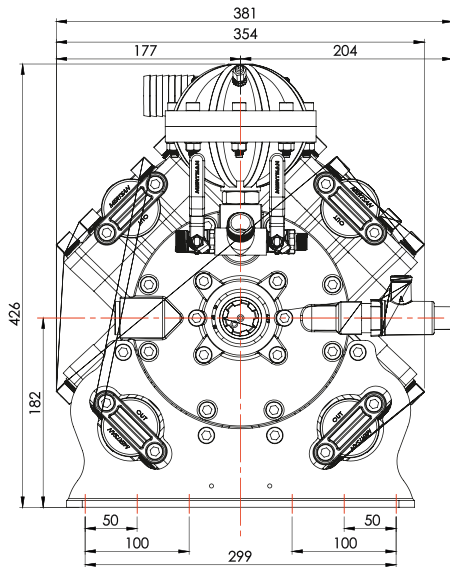


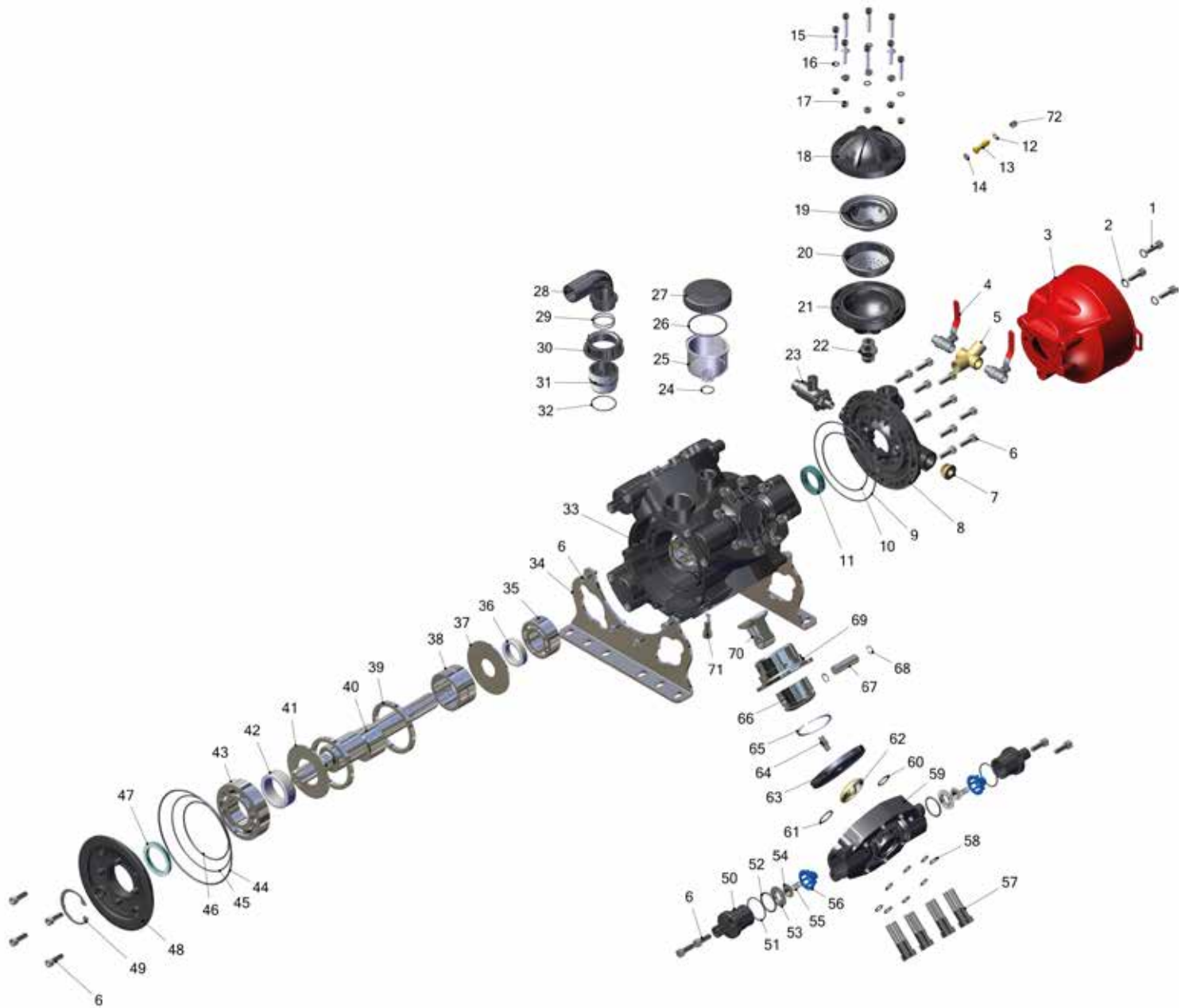
MTS-145 N



KOD/CODE	MTS-145 N
DEBİ (LT./DAK.) FLOW (LT./MIN.)	145
DEVİR (D./DAK.) SPEED (R.P.M)	540
GÜÇ (HP) POWER	18
PİSTON PISTON	4
BASINÇ (BAR) PRESSURE	50
YAĞ CİNSİ OIL TYPE	20W50
YAĞ KAPASİTESİ (LT.) OIL CAPACITY	2.0
ÖLÇÜLER (CM.) DIMENSIONS	47x40x42
AĞIRLIK (KG.) WEIGHT	47.25



MTS-145 N



MTS-145 N

No	ÜRÜN KODU / PRODUCT CODE	AÇIKLAMA / DESCRIPTION	ÖLÇÜLER / DIMENSIONS	ADET / QTY
1	MTS-145 N/1	İMBUS CİVATA / SCREW	ø M10x16	3
2	MTS-145 N/2	PUL / RONDELA	ø 10 MM	3
3	MTS-145 N/3	ŞAFT MUHAFAZASI / CARDAN PROTECTION		1
4	MTS-145 N/4	VANA / VALVE	G ½"	2
5	MTS-145 N/5	PİRİNÇ DAĞITICI / BRASS DISTRIBUTOR	ø 24x16	1
6	MTS-145 N/6	İMBUS CİVATA / SCREW	ø M10x30	40
7	MTS-145 N/7	KÖR TAPA (METAL) / BLANKING TAP (METAL)	ø 12x21	1
8	MTS-145 N/8	MANIFOLD KAPAĞI / MANIFOLD COVER		1
9	MTS-145 N/9	ORİNG / O-RING	ø 196.44x3.53	1
10	MTS-145 N/10	ORİNG / O-RING	ø 120.32 x2.62	1
11	MTS-145 N/11	KEÇE / SEAL	ø 40x60x10	1
12	MTS-145 N/12	TIRTIKLI PUL / RONDELLA	ø 8 MM	1
13	MTS-145 N/13	TÜP SİBOBU / AIR TUBE VALVE		1
14	MTS-145 N/14	ORİNG / O-RING	ø 007.59x2.62	1
15	MTS-145 N/15	İMBUS CİVATA / SCREW	ø M8x45	8
16	MTS-145 N/16	PUL / RONDELA	ø 8 MM	8
17	MTS-145 N/17	FİBERLİ SOMUN / FIBER NUT	ø 8 MM	8
18	MTS-145 N/18	HAVA TÜPÜ ÜST KAPAĞI / AIR TUBE UPPER ACCUMULATOR		1
19	MTS-145 N/19	HAVA TÜPÜ İÇ LASTİK / AIR TUBE INNER LASTIC		1
20	MTS-145 N/20	HAVA TÜPÜ İÇ PLASTİK / AIR TUBE INNER PLASTIC		1
21	MTS-145 N/21	HAVA TÜPÜ ALT KAPAĞI / AIR TUBE INFRA ACCUMULATOR		1
22	MTS-145 N/22	DEMİR NİPEL / NIPPLE (STAINLESS)	G ¾"	1
23	MTS-145 N/23	EMNİYET VALFİ / SAFETY VALVE	G ½"	1
24	MTS-145 N/24	ORİNG / O-RING	ø 021.00x3.00	1
25	MTS-145 N/25	YAĞDANLIK GÖVDESİ / OILCAN		1
26	MTS-145 N/26	ORİNG / O-RING	ø 71.44x3.5	1
27	MTS-145 N/27	YAĞDANLIK KAPAĞI / OILCAN COVER		1
28	MTS-145 N/28	(SU GİRİŞİ) DİRSEĞİ / HOSETAIL FOR FLY NUT	G2" ø 40x47	1
29	MTS-145 N/29	ORİNG / O-RING	ø 040.95x2.62	2
30	MTS-145 N/30	(SU GİRİŞİ) DİRSEK SOMUNU / LOCK NUT	G2"	1
31	MTS-145 N/31	NİPEL / NIPPLE		1
32	MTS-145 N/32	ORİNG / O-RING	ø 032.00x3.00	1
33	MTS-145 N/33	GÖVDE / CRANKCASE		1
34	MTS-145 N/34	AYAK / PUMP MOUNTING STAND		2
35	MTS-145 N/35	RULMAN / BEARING	3208	1
36	MTS-145 N/36	PLASTİK PUL / PLASTIC WASHER	ø 58x13.5	1
37	MTS-145 N/37	KRANK PULU / CRANK WASHER	ø 40x4	1
38	MTS-145 N/38	RULMAN / BEARING	6911	1
39	MTS-145 N/39	BİLEZİK / RING	ø 10.10x93	2
40	MTS-145 N/40	KRANK / CRANK		1
41	MTS-145 N/41	KRANK PULU / CRANK WASHER	ø 55.5x4	1
42	MTS-145 N/42	PLASTİK PUL / PLASTIC WASHER	ø 50.5x25	1
43	MTS-145 N/43	RULMAN / BEARING	6311	1
44	MTS-145 N/44	ORİNG / O-RING	ø 196.44x3.53	1
45	MTS-145 N/45	ORİNG / O-RING	ø 158.42x2.62	1
46	MTS-145 N/46	ORİNG / O-RING	ø 120.32x2.62	1
47	MTS-145 N/47	KEÇE / SEAL	ø 55x72x8	1
48	MTS-145 N/48	MANIFOLD KAPAĞI / MANIFOLD COVER		1
49	MTS-145 N/49	SEGMAN / PISTON RING	ø 72 MM	1
50	MTS-145 N/50	GÖZLÜK / PLUG		8
51	MTS-145 N/51	ORİNG / O-RING	ø 45x2.5	8
52	MTS-145 N/52	ORİNG / O-RING	ø 36.10x3.53	8
53	MTS-145 N/53	SİBOP KROMU / VALVE CHROMIUM		8
54	MTS-145 N/54	SİBOP PULU / VALVE WASHER		8
55	MTS-145 N/55	SİBOP YAYI / VALVE SPRING		8
56	MTS-145 N/56	SİBOP KAFESİ / VALVE CAGE		8
57	MTS-145 N/57	İMBUS CİVATA / SCREW	ø M12x65	8
58	MTS-145 N/58	PUL / RONDELA	ø 12 MM	8
59	MTS-145 N/59	MEMBRAN KAPAĞI / MEMBRANE COVER		4
60	MTS-145 N/60	ORİNG / O-RING	ø 021.00x3.00	4
61	MTS-145 N/61	ORİNG / O-RING	ø 028.00x3.00	4
62	MTS-145 N/62	MEMBRAN PULU / MEMBRANE WASHER		4
63	MTS-145 N/63	MEMBRAN LASTİĞİ / MEMBRANE RUBBER		4
64	MTS-145 N/64	MEMBRAN CİVATASI / MEMBRANE SCREW	ø 12x30	4
65	MTS-145 N/65	SEGMAN / PISTON RING	ø 70 MM	4
66	MTS-145 N/66	PISTON / PISTON		4
67	MTS-145 N/67	PERNO / PERNO		4
68	MTS-145 N/68	SEGMAN / PISTON RING	ø 18 MM	8
69	MTS-145 N/69	GÖMLEK / PISTON SLEEVE		4
70	MTS-145 N/70	BİYEL KOLU / CONNECTION ROD		4
71	MTS-145 N/71	İMBUS CİVATA / SCREW	ø M12x40	1
72	MTS-145 N/72	TÜP SİBOP KAPAĞI / AIR TUBE VALVE COVER		1