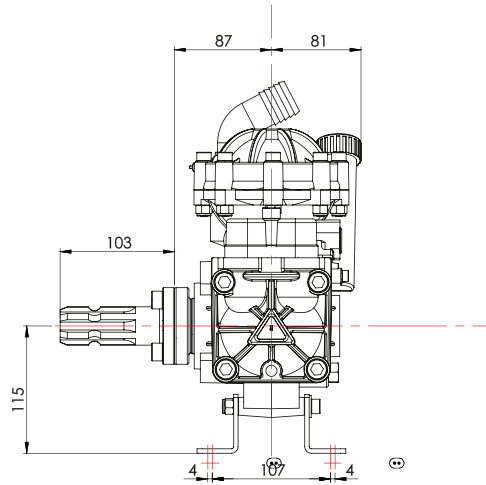
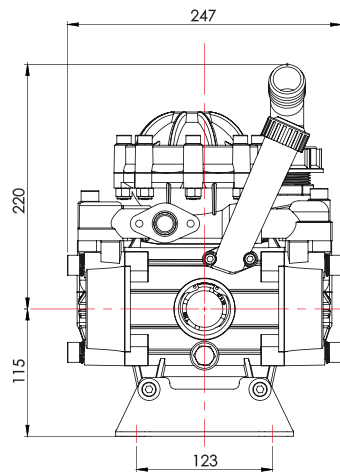


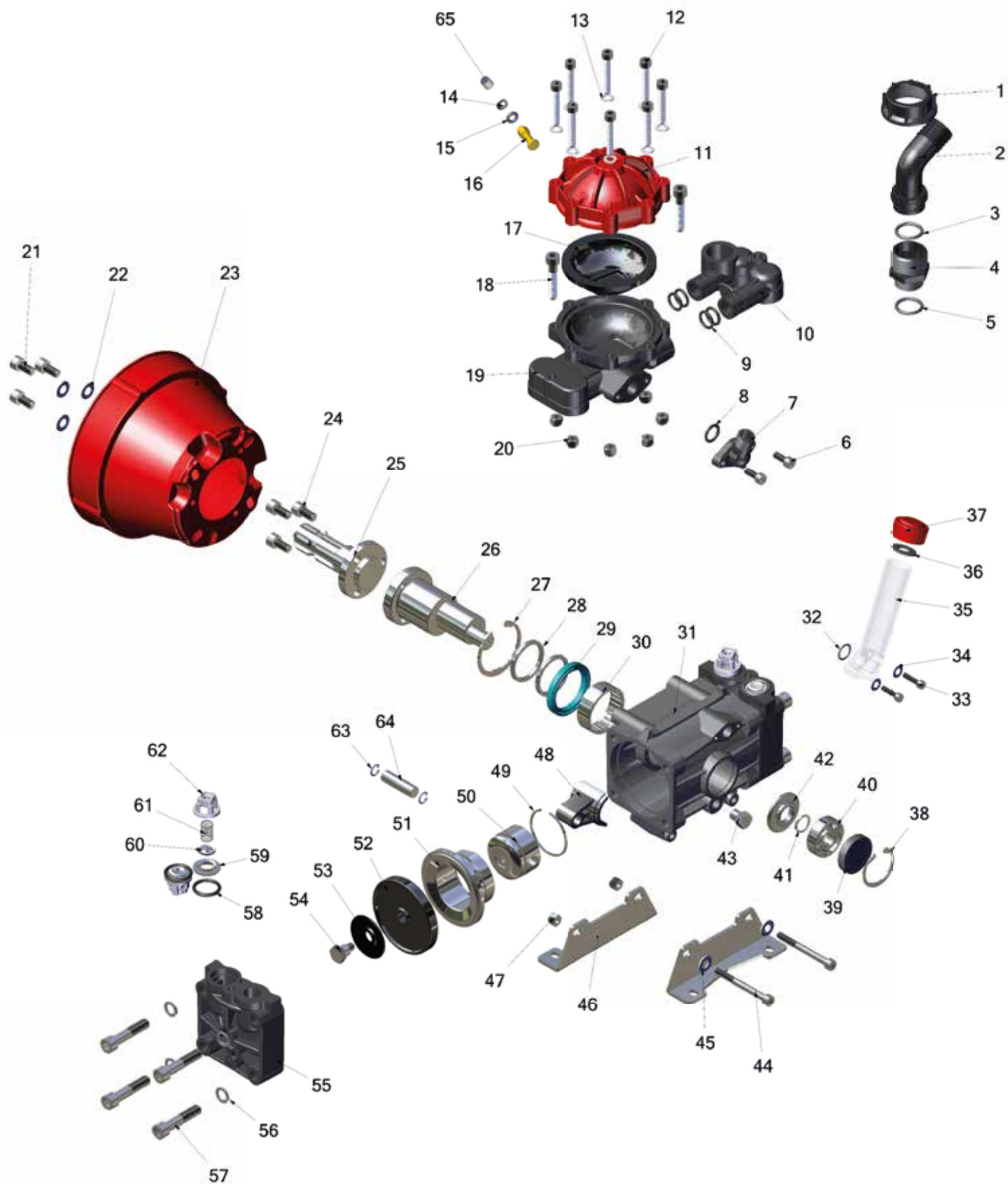
## MTS-230 N



KOD/CODE	MTS-230 N
DEBİ (LT./DAK.) FLOW (LT./MIN.)	30
DEVİR (D./DAK.) SPEED (R.P.M)	540
GÜÇ ( HP ) POWER	2.7
PİSTON PISTON	2
BASINÇ ( BAR ) PRESSURE	35
YAĞ CİNSİ OIL TYPE	20W50
YAĞ KAPASİTESİ ( LT.) OIL CAPACITY	0.50
ÖLÇÜLER (CM.) DIMENSIONS	27x25x22
AĞIRLIK (KG.) WEIGHT	11.15



## MTS-230 N



# MTS-230 N

No	ÜRÜN KODU / PRODUCT CODE	AÇIKLAMA / DESCRIPTION	ÖLÇÜLER / DIMENSIONS	ADET / QTY
1	MTS-230 N/1	(SU GIRİŞİ) DIRSEK SOMUNU / LOCK NUT	Ø 32x32	1
2	MTS-230 N/2	(SU GIRİŞİ) DIRSEK / SUCTION ELBOW TAIL NUT	G1 1/2"	1
3	MTS-230 N/3	ORING / O-RING	Ø 027.00x4.00	1
4	MTS-230 N/4	NIPEL / NIPPLE		1
5	MTS-230 N/5	ORING / O-RING	Ø 024.99x3.53	1
6	MTS-230 N/6	İMBUS CİVATA / SCREW	Ø M8x25	2
7	MTS-230 N/7	ALÜMİNYUM DIRSEK / ALUMINIUM ELBOW		1
8	MTS-230 N/8	ORING / O-RING	Ø 23.81x2.62	1
9	MTS-230 N/9	ORING / O-RING	Ø 21.00x3.00	4
10	MTS-230 N/10	TÜP KAPAĞI / AIR TUBE COVER		1
11	MTS-230 N/11	HAVA TÜPÜ ÜST KAPAK / AIR TUBE UPPER ACCUMULATOR		1
12	MTS-230 N/12	İMBUS CİVATA / SCREW	Ø M8x45	8
13	MTS-230 N/13	PUL / RONDELA	Ø 8 MM	8
14	MTS-230 N/14	TIRTIKLI PUL / RONDELA		1
15	MTS-230 N/15	ORING / O-RING	Ø 007.59 x 2.62	1
16	MTS-230 N/16	TÜP SİBOBU / AIR TUBE VALVE		1
17	MTS-230 N/17	HAVA TÜPÜ İÇ LASTİK / AIR TUBE INNER LASTIC		1
18	MTS-230 N/18	İMBUS CİVATA / SCREW	Ø M10x50	2
19	MTS-230 N/19	HAVA TÜPÜ ALT KAPAK / AIR TUBE INFRA ACCUMULATOR		1
20	MTS-230 N/20	FİBERLİ SOMUN / FIBER NUT	Ø 8 MM	8
21	MTS-230 N/21	İMBUS CİVATA / SCREW	Ø M10x20	3
22	MTS-230 N/22	PUL / RONDELA	Ø 10 MM	3
23	MTS-230 N/23	ŞAFT MUHAFAZASI / CARDAN PROTECTION		1
24	MTS-230 N/24	İMBUS CİVATA / SCREW	Ø M10x20	3
25	MTS-230 N/25	FREZELİ MIL / 6 HOLES THROUGH-SHAFT		1
26	MTS-230 N/26	KRANK / CRANK		1
27	MTS-230 N/27	SEGMAN / PISTON RING	Ø 47	1
28	MTS-230 N/28	BİLEZİK / RING	Ø 5x42 MM	2
29	MTS-230 N/29	KEÇE / SEAL	Ø 50x65x8	1
30	MTS-230 N/30	RULMAN / BEARING	5020	1
31	MTS-230 N/31	GÖVDE / CRANKCASE		1
32	MTS-230 N/32	ORING / O-RING	Ø 015.30x2.40	1
33	MTS-230 N/33	İMBUS CİVATA / SCREW	Ø M6x25	2
34	MTS-230 N/34	PUL / RONDELA	Ø 6 MM	2
35	MTS-230 N/35	YAĞDANLIK GÖVDESİ / OILCAN		1
36	MTS-230 N/36	ORING / O-RING		1
37	MTS-230 N/37	YAĞDANLIK KAPAĞI / OILCAN COVER		1
38	MTS-230 N/38	SEGMAN / PISTON RING	Ø 47	1
39	MTS-230 N/39	KEÇE / SEAL	Ø 47x8	1
40	MTS-230 N/40	RULMAN / BEARING	Ø 6204	1
41	MTS-230 N/41	SEGMAN / PISTON RING	Ø 18 MM	1
42	MTS-230 N/42	KRANK PULU / CRANK WASHER		1
43	MTS-230 N/43	YAG BOŞALTIMA TAPASI / OIL OUTPUT TAP		1
44	MTS-230 N/44	İMBUS CİVATA / SCREW	Ø M8x80	2
45	MTS-230 N/45	PUL / RONDELA	Ø 8 MM	2
46	MTS-230 N/46	AYAK / PUMP MOUNTING STAND		2
47	MTS-230 N/47	FİBERLİ SOMUN / FIBER NUT	Ø 8 MM	2
48	MTS-230 N/48	BIYEL KOLU / CONNECTION ROD		2
49	MTS-230 N/49	SEGMAN / PISTON RING	Ø 56	2
50	MTS-230 N/50	PISTON / PISTON	Ø 56	2
51	MTS-230 N/51	GÖMLEK / PISTON SLEEVE		2
52	MTS-230 N/52	MEMBRAN LASTIĞI / MEMBRANE RUBBER		2
53	MTS-230 N/53	MEMBRAN PULU / MEMBRANE WASHER		2
54	MTS-230 N/54	MEMBRAN CİVATASI / MEMBRANE SCREW	Ø 10x20	2
55	MTS-230 N/55	MEMBRAN KAPAĞI / MEMBRANE COVER		2
56	MTS-230 N/56	PUL / RONDELA	Ø 12 MM	8
57	MTS-230 N/57	İMBUS CİVATA / SCREW	Ø M12x55	8
58	MTS-230 N/58	ORING / O-RING	Ø 24.99x3.53	4
59	MTS-230 N/59	SİBOP KROMU / VALVE CHROMIUM		4
60	MTS-230 N/60	SİBOP PULU / VALVE WASHER		4
61	MTS-230 N/61	SİBOP YAYI / VALVE SPRING		4
62	MTS-230 N/62	SİBOP KAFESİ / VALVE CAGE		4
63	MTS-230 N/63	SEGMAN / PISTON RING	Ø 14 MM	4
64	MTS-230 N/64	PERNO / PERNO	Ø 14 MM	2
65	MTS-230 N/65	TÜP SİBOP KAPAĞI / AIR TUBE VALVE COVER		1