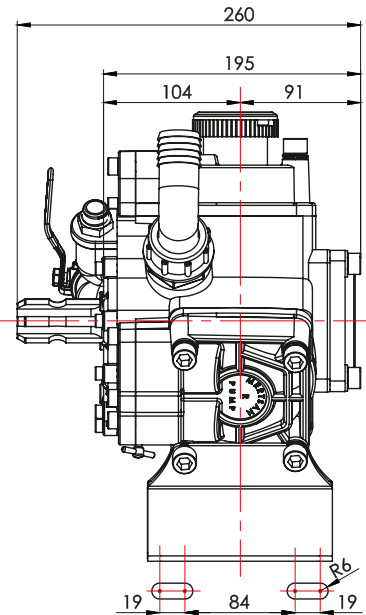
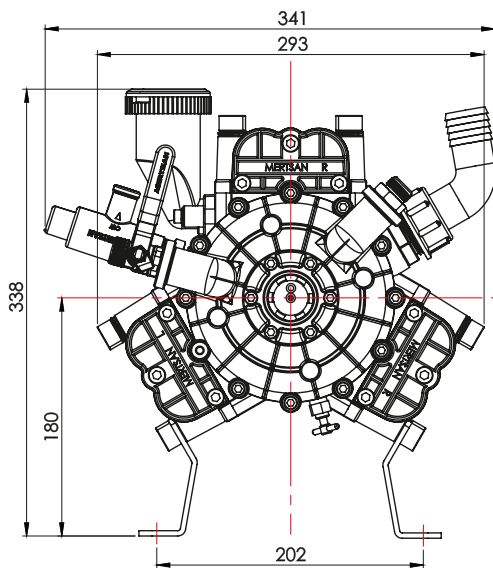


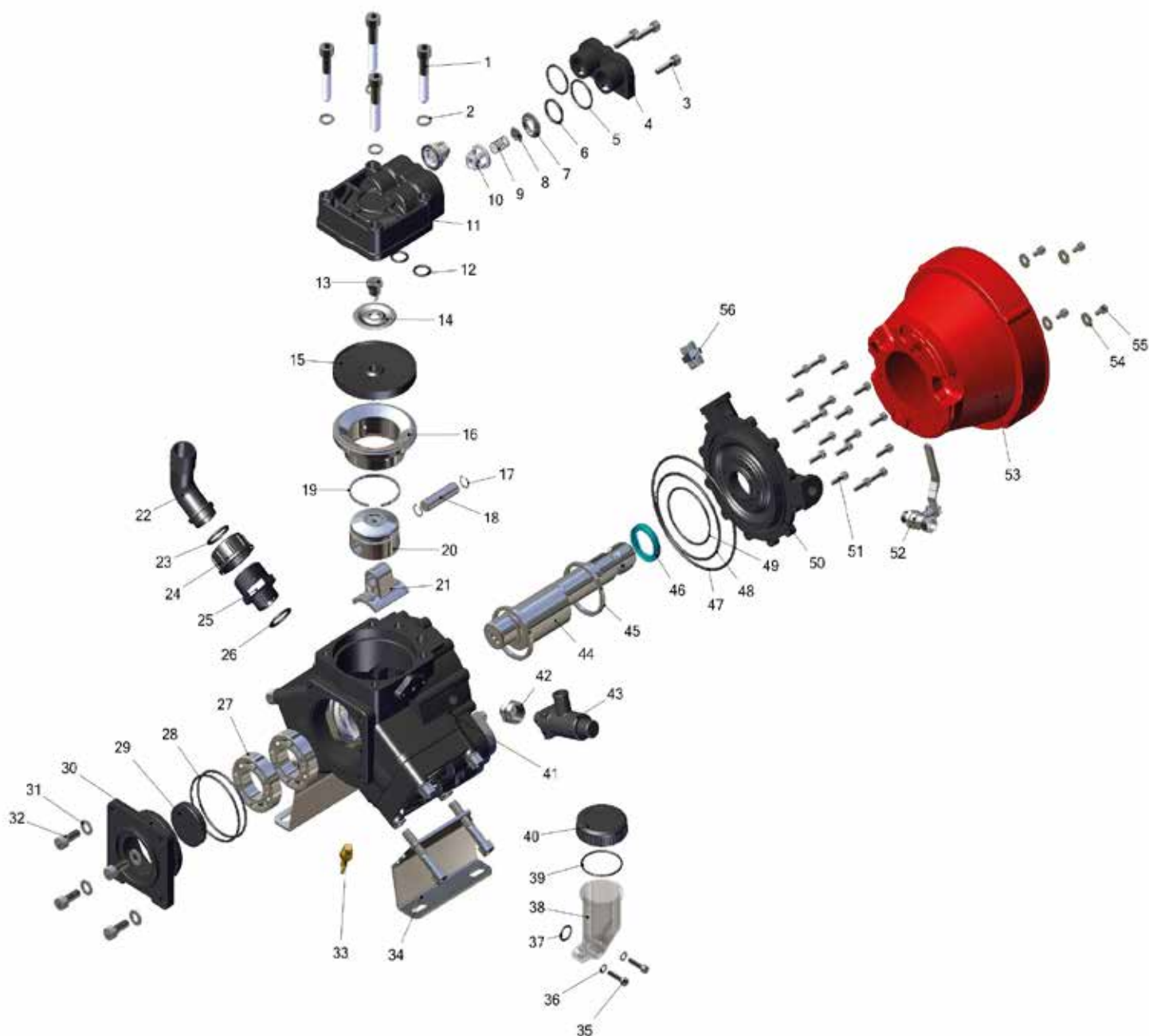
MTS-371 A



KOD/CODE	MTS-371 A
DEBİ (LT./DAK.) FLOW (LT./MIN.)	71
DEVİR (D./DAK.) SPEED (R.P.M)	540
GÜÇ (HP) POWER	7.3
PİSTON PISTON	3
BASINÇ (BAR) PRESSURE	45
YAĞ CİNSİ OIL TYPE	20W50
YAĞ KAPASİTESİ (LT.) OIL CAPACITY	1.0
ÖLÇÜLER (CM.) DIMENSIONS	26x34x34
AĞIRLIK (KG.) WEIGHT	17.15



MTS-371 A



MTS-371 A

№	ÜRÜN KODU / PRODUCTS CODE	AÇIKLAMA / DESCRIPTION	ÖLÇÜLER / DIMENSIONS	ADET / QTY
1	MTS-371 A/1	İMBUS CİVATA / SCREW	Ø M12x65	12
2	MTS-371 A/2	PUL / RONDELA	Ø 12 MM	8
3	MTS-371 A/3	İMBUS CİVATA / SCREW	Ø M8x30	9
4	MTS-371 A/4	GÖZLÜK / PLUG		3
5	MTS-371 A/5	ORİNG / O-RING	Ø 033.00x3.00	6
6	MTS-371 A/6	ORİNG / O-RING	Ø 24.99x3.53	6
7	MTS-371 A/7	SİBOP KROMU / VALVE CHROMIUM		6
8	MTS-371 A/8	SİBOP PULU / VALVE WASHER		6
9	MTS-371 A/9	SİBOP YAYI / VALVE SPRING		6
10	MTS-371 A/10	SİBOP KAFESİ / VALVE CAGE		6
11	MTS-371 A/11	MEMBRAN KAPAĞI / MEMBRANE COVER		3
12	MTS-371 A/12	ORİNG / O-RING	Ø 017.00x3.00	6
13	MTS-371 A/13	PİSTON CİVATASI / PISTON HOLDER SCREW	Ø M10x20	3
14	MTS-371 A/14	MEMBRAN PULU / MEMBRANE WASHER		3
15	MTS-371 A/15	MEMBRAN LASTİĞİ / MEMBRANE RUBBER		3
16	MTS-371 A/16	GÖMLEK / PISTON SLEEVE		3
17	MTS-371 A/17	SEGMAN / PISTON RING	Ø 15	6
18	MTS-371 A/18	PERNO / PERNO	Ø 15	3
19	MTS-371 A/19	SEGMAN / PISTON RING	Ø 63	3
20	MTS-371 A/20	PİSTON / PISTON	Ø 63	3
21	MTS-371 A/21	BİYEL KOLU / CONNECTION ROD		3
22	MTS-371 A/22	(SU GİRİŞİ) DİRSEK / HOSETAIL FOR FLY NUT	Ø 32x32	1
23	MTS-371 A/23	ORİNG / O-RING	Ø 027.00x4.00	1
24	MTS-371 A/24	(SU GİRİŞİ) DİRSEK SOMUNU / LOCK NUT	G1 1/4"	1
25	MTS-371 A/25	NİPEL / NIPPLE		1
26	MTS-371 A/26	ORİNG / O-RING	Ø 24.99x3.53	1
27	MTS-371 A/27	RULMAN / BEARING	6207	2
28	MTS-371 A/28	ORİNG / O-RING	Ø 070.00x3.00	2
29	MTS-371 A/29	KEÇE / SEAL	Ø 55x10	1
30	MTS-371 A/30	FLANŞ(KARE KAPAK) / MANIFOLD COVER (BACK SIDE)		1
31	MTS-371 A/31	PUL / RONDELA	Ø 8 MM	4
32	MTS-371 A/32	İMBUS CİVATA / SCREW	Ø M8x25	4
33	MTS-371 A/33	SARI TAHLİYE MUSLUĞU / (BRASS) OUTPUT TAP		1
34	MTS-371 A/34	AYAK / PUMP MOUNTING STAND		2
35	MTS-371 A/35	İMBUS CİVATA / SCREW	Ø M6x25	2
36	MTS-371 A/36	PUL / RONDELA	Ø 6 MM	2
37	MTS-371 A/37	ORİNG / O-RING	Ø 016.00x2.50	1
38	MTS-371 A/38	YAĞDANLIK GÖVDESİ / OILCAN		1
39	MTS-371 A/39	ORİNG / O-RING	Ø 42.52x2.62	1
40	MTS-371 A/40	YAĞDANLIK KAPAĞI / OILCAN COVER		1
41	MTS-371 A/41	GÖVDE / CRANKCASE		1
42	MTS-371 A/42	REKOR / NIPPLE	G 1/2" 3/8"	1
43	MTS-371 A/43	EMNİYET VALFİ / SAFETY VALVE	G 1/2"	1
44	MTS-371 A/44	KRANK / CRANK		1
45	MTS-371 A/45	BİLEZİK / RING	Ø 5.5x59	2
46	MTS-371 A/46	KEÇE / SEAL	Ø 35x47x7	1
47	MTS-371 A/47	ORİNG / O-RING	Ø 142.47x3.53	1
48	MTS-371 A/48	ORİNG / O-RING	Ø 108.00x3.00	1
49	MTS-371 A/49	ORİNG / O-RING	Ø 070.00x3.00	1
50	MTS-371 A/50	MANİFOLD KAPAĞI (ÖN) / MANIFOLD COVER (FRONT SIDE)		1
51	MTS-371 A/51	İMBUS CİVATA / SCREW	Ø M6x20	18
52	MTS-371 A/52	VANA / BALL VALVE	G 1/2"	1
53	MTS-371 A/53	ŞAFT MUHAFAZASI / CARDAN PROTECTION		1
54	MTS-371 A/54	PUL / RONDELA	Ø 6 MM	4
55	MTS-371 A/55	İMBUS CİVATA / SCREW	Ø M6x10	4
56	MTS-371 A/56	DEMİR NİPEL / NIPPLE (STAINLESS)	G 1/2"	1